



UHF Connectors

Specifications	129
Flexible Cable	131
Panel Mount	132
Bulkhead	133
In Series Adaptors	133

Other Information

Assembly Instructions	176
Cable Assembly	166
Cable Information	168
Numerical Index	184

Prices, specifications, statement of warranty, and other terms and conditions are subject to change without notice by Lighthouse Technologies, Inc.

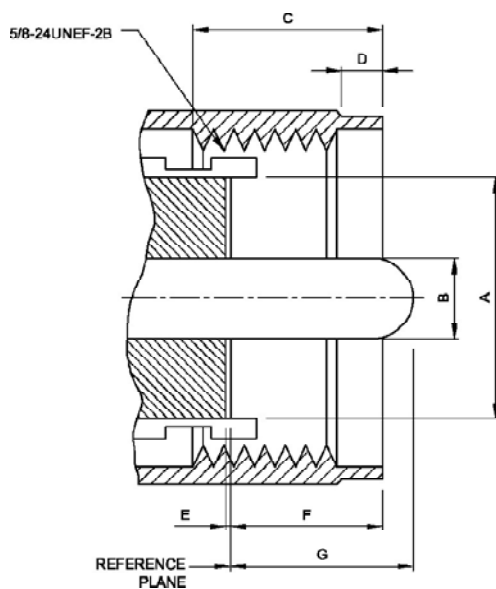


UHF coaxial connectors were one of the first RF connector series to be developed. They are general purpose, non-constant impedance connectors which operate from DC to 300 MHz. The 5/8"-24 thread coupling and clamp, crimp, twist-on and solder terminations give the UHF the flexibility that has kept it one of the most popular coaxial connectors over the years.

Among the many applications of this low cost, low frequency device are antenna connections for CB radios, public address systems, audio, video, mobile radio, and test equipment.

Interface Mating Dimensions

PLUG



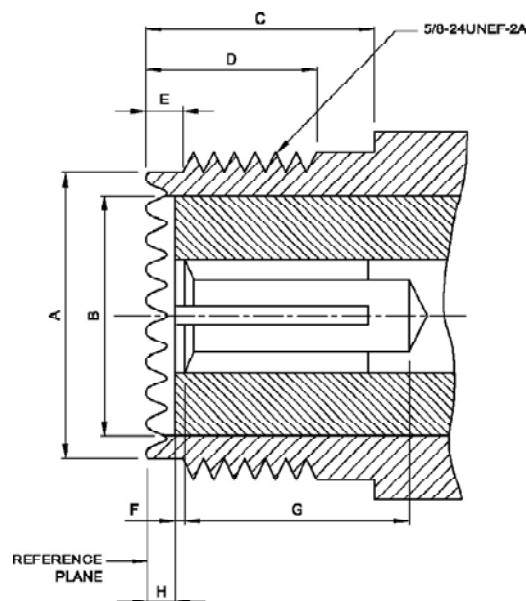
Letter	Minimum	Maximum
A	11.56	12.22
B	3.91	4.01
C	8.76	-
D	1.19	4.27
E	0.00	-
F	-	9.91
G	-	11.10

DIMENSIONS ARE IN MILLIMETERS

JACK

Letter	Minimum	Maximum
A	14.00	14.25
B	11.56	12.22
C	11.10	-
D	7.87	-
E	1.19	1.96
F	0.03	-
G	11.76	-
H	1.02	-

DIMENSIONS ARE IN MILLIMETERS





ELECTRICAL RATINGS

Impedance	Non-constant 50 ohm	
Frequency Range	0-300 MHz	
VSWR	1.25 GHz max	
Voltage Rating (in VRMS at sea level)	500 max	
Dielectric Withstanding Voltage (in VRMS at sea level)	1500 min	
RF Leakage	-90 dB min @ 2.5 GHz	
Insertion Loss	.1 dB max @ 2.5 GHz	
Insulation Resistance	5000 M Ω min	
Contact Resistance	<i>Center Contact</i>	<i>Outer Contact</i>
	1.0 m Ω max	0.5 m Ω max

MECHANICAL RATINGS

Mating	5/8-24UNEF threaded coupling	
Durability	500 matings max	
Cable Retention	<i>RG-174, 188, 316</i>	20 lbs min
	<i>RG-58, 141, 142, 223, 400</i>	40 lbs min
	<i>RG-59, 62, 210</i>	40 lbs min
	<i>RG-8, 11, 213, 214</i>	80 lbs min
Temperature Range	-55°C to + 85°C	
Vibration	MIL-STD-202, Method 204, Test Condition A	
Corrosion	MIL-STD-202, Method 101, Test Condition B	

MATERIALS

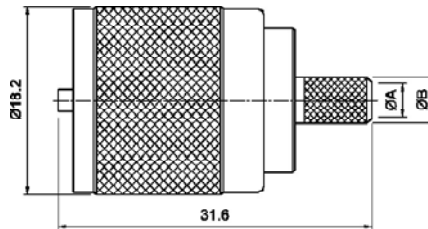
		<i>Material</i>	<i>Plating</i>
Connector Body		Brass per QQ-B-626	Nickel
Center Contact	<i>Male</i>	Brass per QQ-B-626	Gold
	<i>Female</i>	Beryllium Copper per QQ-C-530, or Phosphor Bronze per QQ-C-750	Gold
Insulator		Teflon, Delrin, Polypropylene	None
Gasket		Silicone Rubber	None
Crimp Ferrule		Annealed Copper per WW-T-799	Same as body



Straight Crimp Plug

Part Number	Cable Type	Dimension		Dielectric
LTI-USM11NT-XXX	RG-58,141,142,223,400	A: 3.1	B: 4.4	Teflon
LTI-USM11ND-XXX	RG-58,141,142,223,400	A: 3.1	B: 4.4	Delrin
LTI-7USM11NT -59	RG-59 (75 ohm)	A: 3.9	B: 5.6	Teflon
LTI-7USM11ND -59	RG-59 (75 ohm)	A: 3.9	B: 5.6	Delrin

TO CREATE COMPLETE PART NUMBER: Fill in Cable Type where XXX is.
See Part Numbering Chart on page 3 for more info.

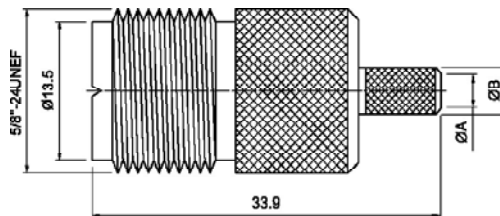
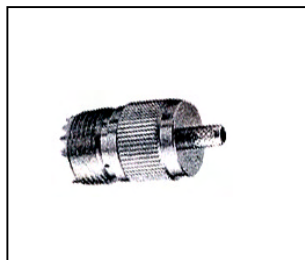


ASSEMBLY INST.: Page 176
Recommended Stripping DIMS:
Page 172, Line 28

Straight Crimp Jack

Part Number	Cable Type	Dimension		Dielectric
LTI-USF11NT-XXX	RG-58,141,142,223,400	A: 3.1	B: 4.4	Teflon
LTI-USF11ND-XXX	RG-58,141,142,223,400	A: 3.1	B: 4.4	Delrin
LTI-7USF11NT -59	RG-59 (75 ohm)	A: 3.9	B: 5.6	Teflon
LTI-7USF11ND -59	RG-59 (75 ohm)	A: 3.9	B: 5.6	Delrin

TO CREATE COMPLETE PART NUMBER: Fill in Cable Type where XXX is.
See Part Numbering Chart on page 3 for more info.

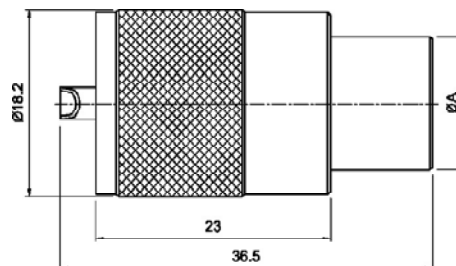


ASSEMBLY INST.: Page 176
Recommended Stripping DIMS:
Page 172, Line 29

Straight Twist On Plug

Part Number	Cable Type	Dimension		Dielectric
LTI-USM211NT-XXX	RG-8,213,214; Q	A: 3.1	B: 4.4	Teflon
LTI-USM211ND-XXX	RG-8,213,214; Q	A: 3.1	B: 4.4	Delrin
LTI-7USM211NT -11	RG-11 (75 ohm)	A: 3.9	B: 5.6	Teflon
LTI-7USM211ND -11	RG-11 (75 ohm)	A: 3.9	B: 5.6	Delrin

TO CREATE COMPLETE PART NUMBER: Fill in Cable Type where XXX is. See Part Numbering Chart on page 3 for more info.



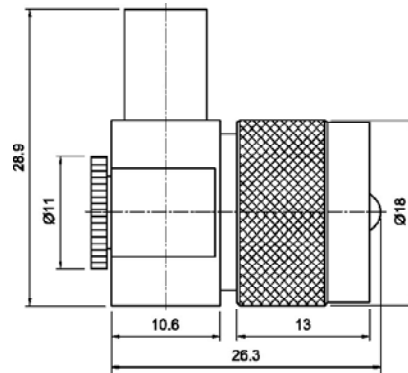
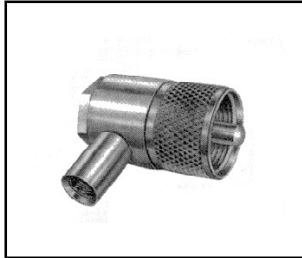
ASSEMBLY INST.: Page 182
Recommended Stripping DIMS:
Page 172, Line 30



Right Angle Twist On Plug

Part Number	Cable Type	Dimension		Dielectric
LTI-ULM2t1NT-XXX	RG-58,141,142,223,400	A: 3.1	B: 4.4	Teflon
LTI-ULM2t1ND-XXX	RG-58,141,142,223,400	A: 3.1	B: 4.4	Delrin
LTI-7ULM2t1NT -59	RG-59 (75 ohm)	A: 3.9	B: 5.6	Teflon
LTI-7ULM2t1ND -59	RG-59 (75 ohm)	A: 3.9	B: 5.6	Delrin

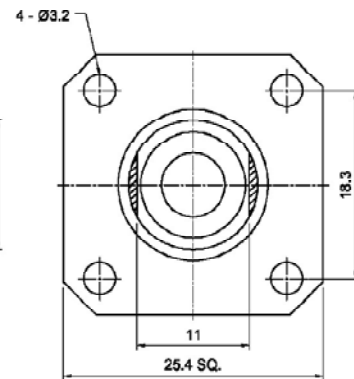
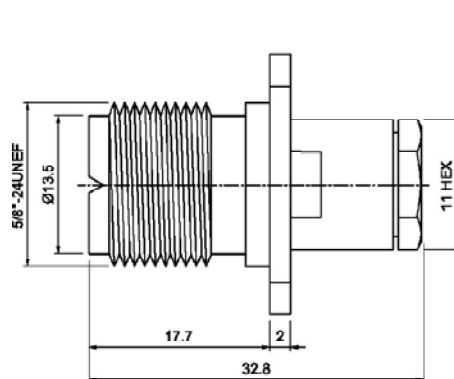
TO CREATE COMPLETE PART NUMBER: Fill in Cable Type where XXX is. See Part Numbering Chart on page 3 for more info.



ASSEMBLY INST.: Page 182
Recommended Stripping DIMS:
Page 172, Line 31

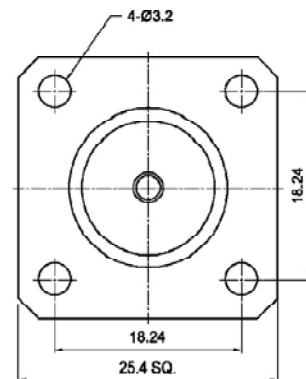
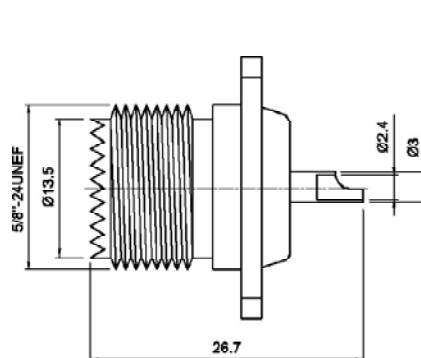
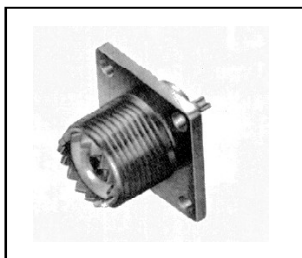
Panel Mount Clamp On Jack

Part Number	Dielectric
LTI-USF22NT	Teflon
LTI-USF22ND	Delrin
LTI-7USF22NT (75 ohm)	Teflon
LTI-7USF22ND (75 ohm)	Delrin



Panel Mount Jack With Solder Cup

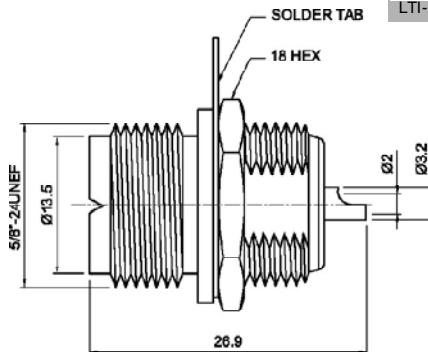
Part Number	Dielectric
LTI-USF42NT	Teflon
LTI-USF42ND	Delrin
LTI-7USF42NT (75 ohm)	Teflon
LTI-7USF42ND (75 ohm)	Delrin





Front Mount Bulkhead Jack

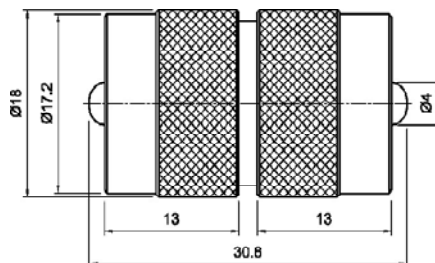
Part Number	M.H.	Dielectric
LTI-USF43NT	5	Teflon
LTI-USF43ND	5	Delrin
LTI-7USF43NT (75 ohm)	5	Teflon
LTI-7USF43ND (75 ohm)	5	Delrin



MOUNTING HOLE (M.H.): Page 174

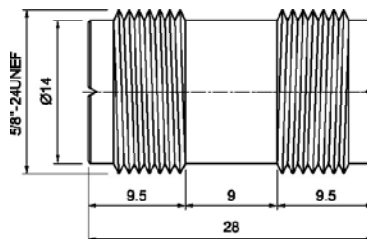
Straight Plug to Plug Adapter

Part Number	Dielectric
LTI-A2USMMNT	Teflon
LTI-A2USMMND	Delrin
LTI-7A2USMMNT (75 ohm)	Teflon
LTI-7A2USMMND (75 ohm)	Delrin



Straight Jack to Jack Adapter

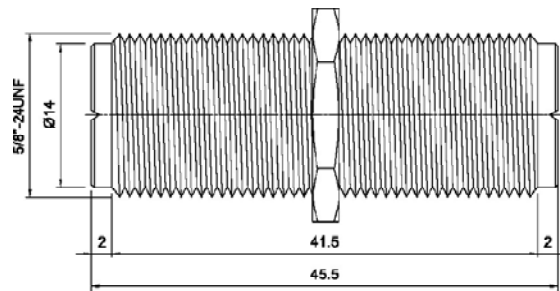
Part Number	Dielectric
LTI-A2USFFNT	Teflon
LTI-A2USFFND	Delrin
LTI-7A2USFFNT (75 ohm)	Teflon
LTI-7A2USFFND (75 ohm)	Delrin





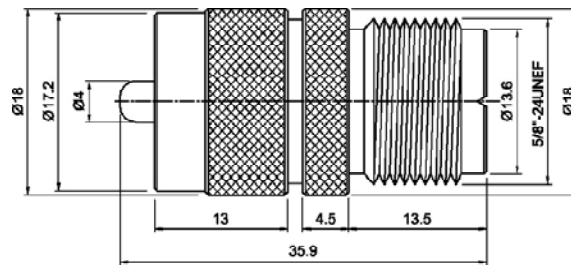
Straight Jack to Jack Bulkhead Adapter

Part Number	Dielectric
LTI-A2USFF3NT	Teflon
LTI-A2USFF3ND	Delrin
LTI-7A2USFF3NT (75 ohm)	Teflon
LTI-7A2USFF3ND (75 ohm)	Delrin



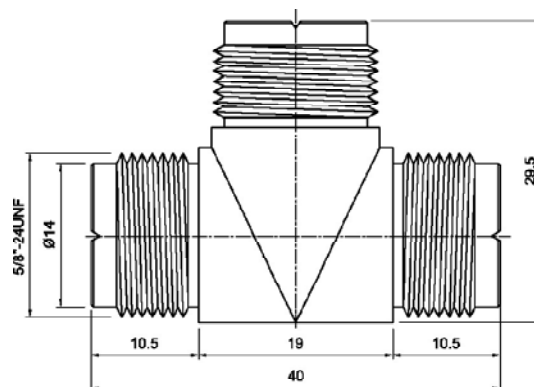
Straight Jack to Plug Adapter

Part Number	Dielectric
LTI-A2USFMNT	Teflon
LTI-A2USFMND	Delrin
LTI-7A2USFMNT (75 ohm)	Teflon
LTI-7A2USFMND (75 ohm)	Delrin



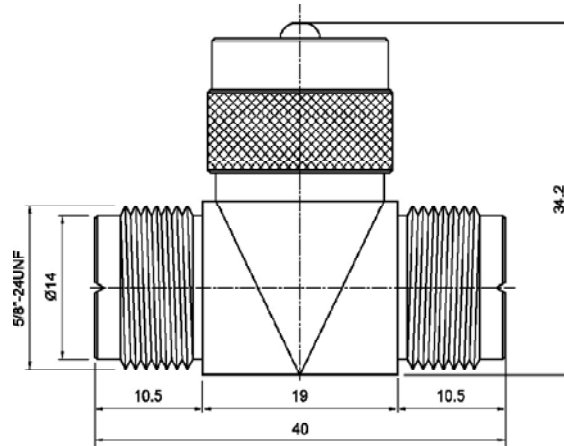
T Adapter, Jack to Jack to Jack

Part Number	Dielectric
LTI-A3UTFFFNT	Teflon
LTI-A3UTFFFND	Delrin
LTI-7A3UTFFFNT (75 ohm)	Teflon
LTI-7A3UTFFFND (75 ohm)	Delrin





T Adapter, Jack to Plug to Jack



Part Number	Dielectric
LTI-A3UTF MFNT	Teflon
LTI-A3UTF MFND	Delrin
LTI-7A3UTF MFNT (75 ohm)	Teflon
LTI-7A3UTFMFND (75 ohm)	Delrin